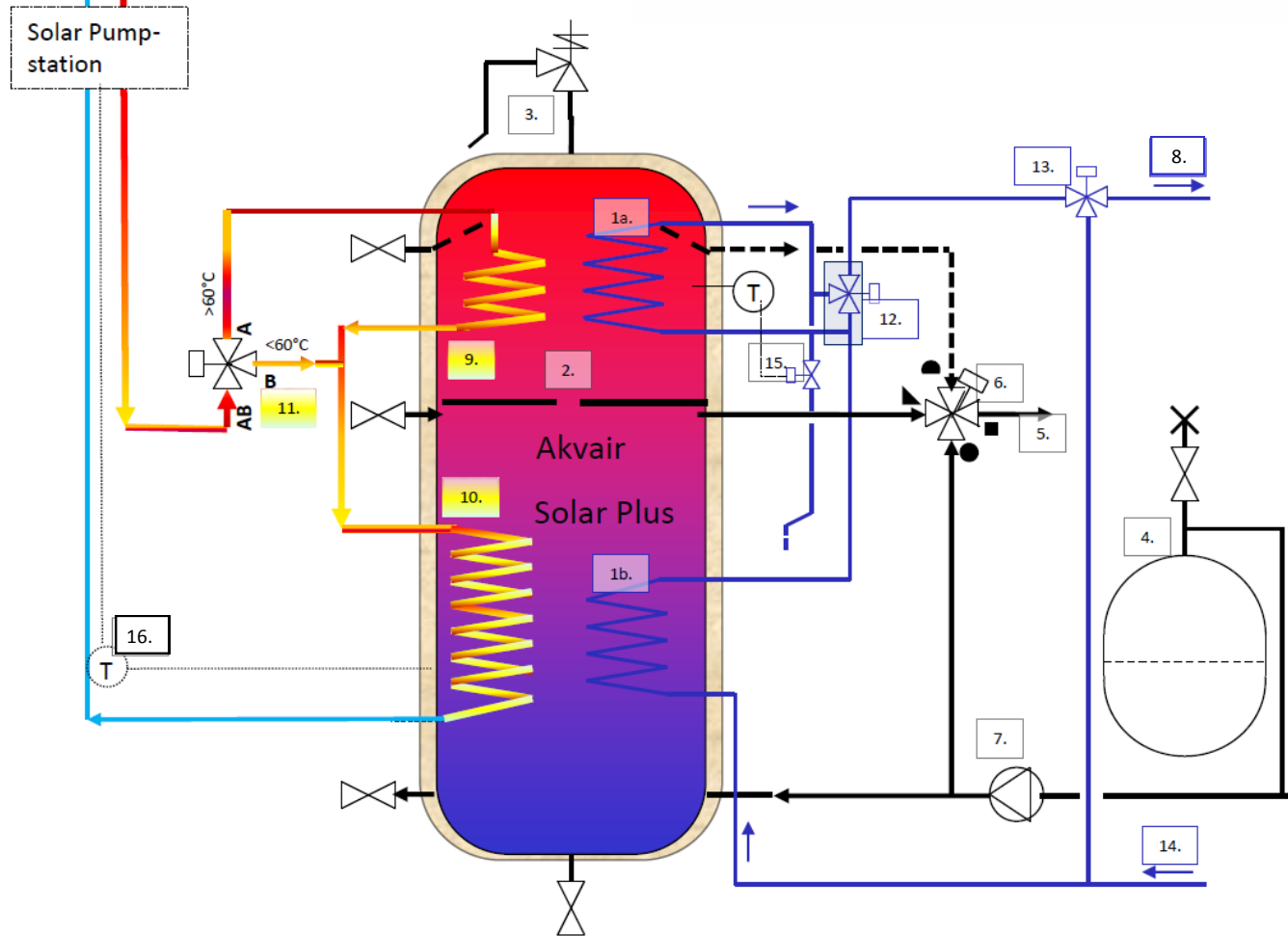


AKVATERM



- 1a. Domestic Hot Water Coil
- 1b. Pre-heat Coil
- 2. Accumulator Tank
- 3. Pressure Relief Valve
- 4. Expansion Vessel
- 5. Heating Circuit
- 6. Motorised bivalent 4-way valve
- 7. Circulating Pump
- 8. Domestic Hot Water Circuit
- 9. Solar High Temperature Coil
- 10. Solar Coil
- 11. Solar Diverting Valve
- 12. Thermostatic Combination Valve
- 13. Thermostatic Mixing Valve
- 14. Mains Cold Feed
- 15. Temperature Relief Valve
- 16. Thermostat